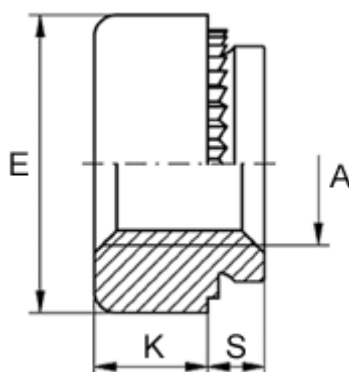


Article number: 12502000060700
Description: KLEE-coil 502 000 060.700
M6 Light-alloy metal

Measures



Female thread A	= M6
Height K	= 4.0
Max recess height	= 2.0
Min distance to edge	= 5.0
Outer diameter E	= 11.0
Plate thickness	= 2.4 to 3.2
Recommended bore diameter +0.05	= 9.00